

RC-3Ch-1CO-12VDC
RC-3Ch-1CO-24VDC

Main Features:

- ☒ Relay module with 3 miniature relays.
- ☒ Coil Voltage 24V DC/12V DC.
- ☒ 1 Change over.
- ☒ Free wheeling diode across relay coil for protection.
- ☒ Mounting DIN35 carrier rail.

TECHNICAL SPECIFICATIONS:

Coil Data

Voltage	24VDC	12VDC
Input Current	39mA	77.5mA
Coil Resistance	640Ω/1050Ω	160Ω/270Ω

Contact Data

1CO

No of contact	1SPDT
Contact Ratings	5A 240V AC/30V DC
Contact Resistance	100mΩ _{max}

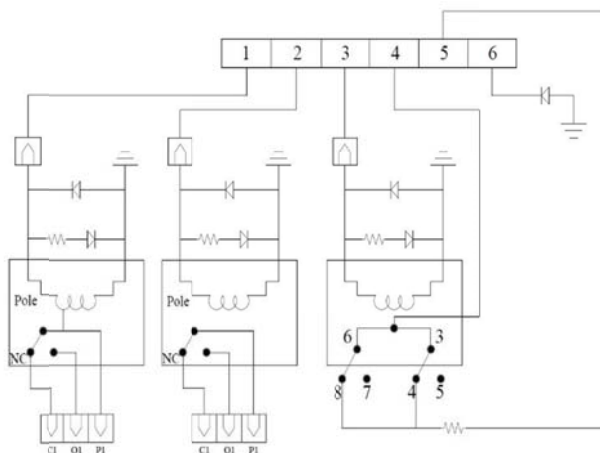
General Data

Module Height	62.73mm
Module Depth	88.36mm
Color	Green
Operating Temperature	-55~100□ -55~125□
Storage Temperature	-10c to 60c
Relative humidity	85% (at 40□)
Indications	Red LED for input status
Protection	Free wheeling diode across relay coil

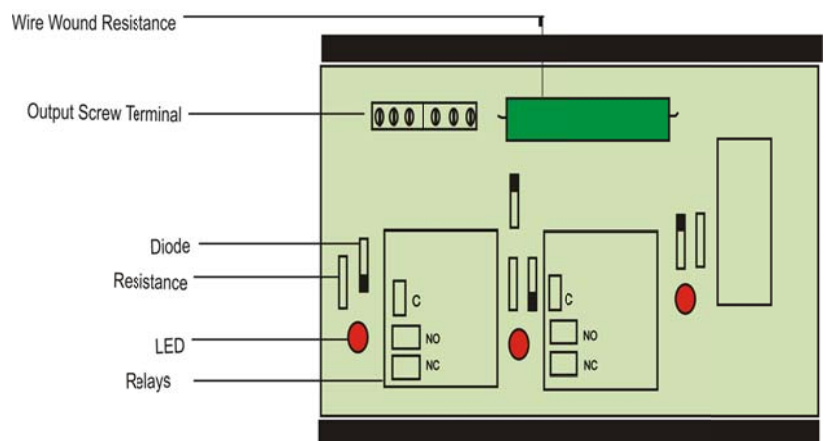
Connection Data

Type of Connection	Screw Connection(PCB terminals block)
Nominal Current carrying capacity	24A for single level & 22A for double level
Rated Voltage Capacity	250V

Connection Diagram



Layout



RC-4Ch-1CO-12VDC-7A
RC-4Ch-1CO-24VDC-7A

Main Features:

- ⌘ Relay module with 4 miniature relays.
- ⌘ Coil Voltage 24V DC/12V DC.
- ⌘ 1 Change over.
- ⌘ Free wheeling diode across relay coil for protection.
- ⌘ Mounting DIN35 carrier rail.

TECHNICAL SPECIFICATIONS:

Coil Data

Voltage	24VDC	12VDC
Input Current	21.8mA	43.6mA
Coil Resistance	1280Ω	320Ω

Contact Data

1CO

No of contact	SPST-NO
Contact Ratings	10A 240V AC, 12A 120V AC, 7A 300V AC
Contact Resistance	100mΩ _{max}

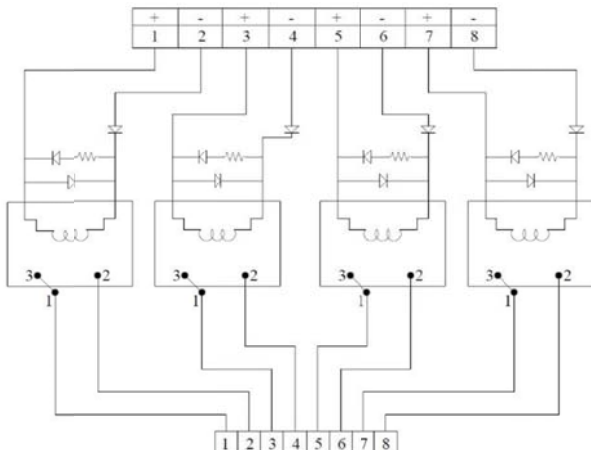
General Data

Module Height	55.51mm
Module Depth	77.87 mm
Color	Green
Operating Temperature	-40°C to +70°C
Storage Temperature	-10°C to 60°C
Relative humidity	40 to 85% RH
Indications	Red LED for input status
Protection	Free wheeling diode across relay coil

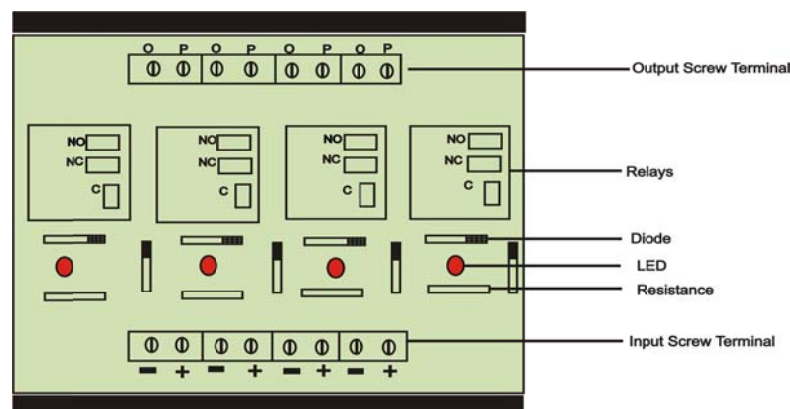
Connection Data

Type of Connection	Screw Connection(PCB terminals block)
Nominal Current carrying capacity	24A for single level & 22A for double level
Rated Voltage Capacity	250V

Connection Diagram



Layout



RC-5Ch-1CO-12VDC-DG1
RC-5Ch-1CO-24VDC-DG1

Main Features:

- ⌘ Relay module with 5 miniature relays.
- ⌘ Coil Voltage 24V DC/12V DC.
- ⌘ 1 Change over.
- ⌘ Free wheeling diode across relay coil for protection.
- ⌘ Mounting DIN35 carrier rail.

TECHNICAL SPECIFICATIONS:

Coil Data

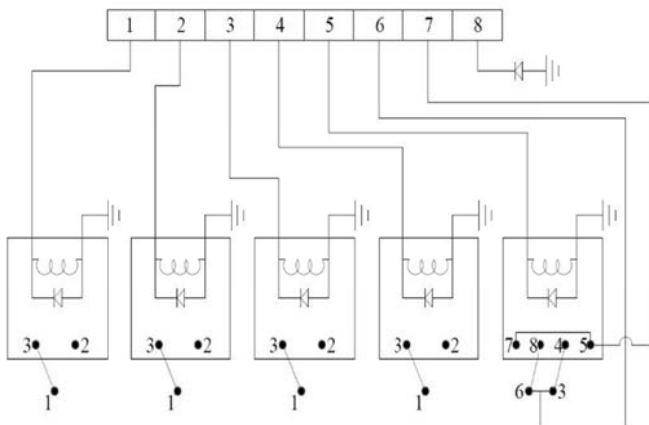
Voltage	24VDC	12VDC
Input Current	39mA	77.5mA
Coil Resistance	640Ω/1050Ω	160Ω/270Ω

Contact Data	1CO
No of contact	1 SPDT
Contact Ratings	20/10A 240V AC/28V DC
Contact Resistance	50mΩ _{max}

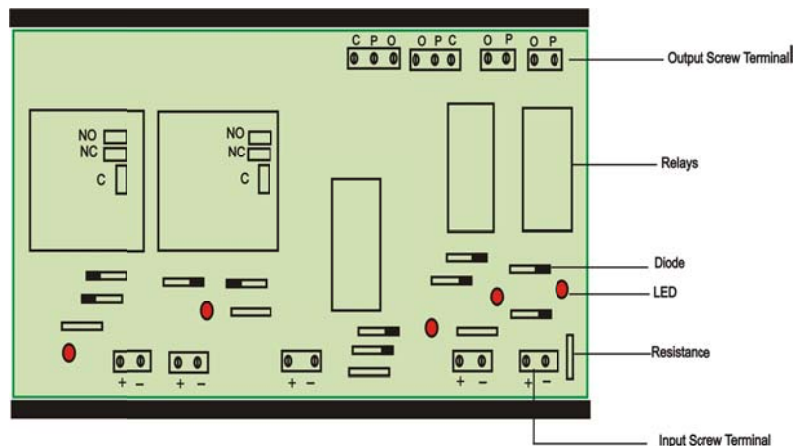
General Data	
Module Height	62.17 mm
Module Depth	126.79 mm
Color	Green
Operating Temperature	-55~100□ -55~125□
Storage Temperature	-10°C to 60°C
Relative humidity	85% (at 40□)
Indications	Red LED for input status
Protection	Free wheeling diode across relay coil

Connection Data	
Type of Connection	Screw Connection(PCB terminals block)
Nominal Current carrying capacity	24A for single level & 22A for double level
Rated Voltage Capacity	250V

Connection Diagram



Layout



RC-8Ch-1CO-12VDC-5A

RC-8Ch-1CO-24VDC-5A

Main Features:

- ☒ Relay module with 8 miniature relays.
- ☒ Coil Voltage 24V DC/12V DC.
- ☒ 1 Change over.
- ☒ Free wheeling diode across relay coil for protection.
- ☒ Mounting DIN35 carrier rail.
- ☒ Jumpers are provided for selection b/w positive looping/negative looping.

TECHNICAL SPECIFICATIONS:

Coil Data

Voltage	24VDC	12VDC
Input Current	21.8mA	43.6mA
Coil Resistance	1100Ω	275Ω

Contact Data

1CO

No of contact	1 SPDT
Contact Ratings	10A,250V AC;10A,30V DC(Resistive load) 7.5A,250V AC;5A,30V DC(Inductive load)
Contact Resistance	30mΩ _{max}

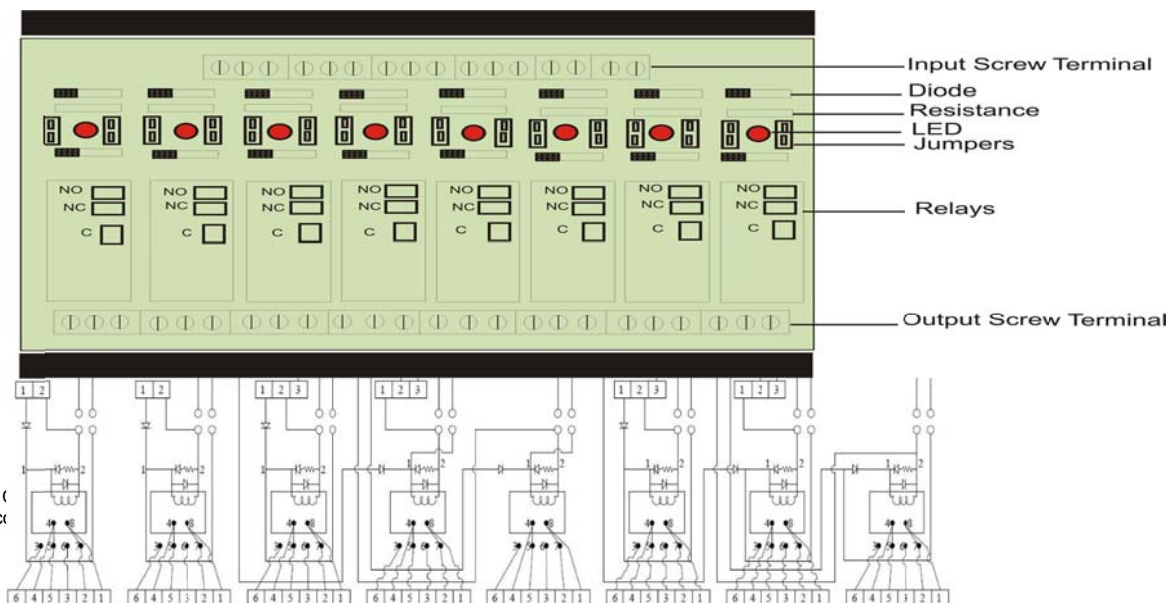
General Data

Module Height	59.70 mm
Module Depth	133.68 mm
Color	Green
Operating Temperature	0°C to 50°C
Storage Temperature	-10°C to 60°C
Relative humidity	5 to 95% RH
Indications	Red LED for input status
Protection	Free wheeling diode across relay coil
Looping on coil side	Common, remove all jumpers to make relay independent

Connection Data

Type of Connection	Screw Connection(PCB terminals block)
Nominal Current carrying capacity	24A for single level & 22A for double level
Rated Voltage Capacity	250V

Connection diagram



Layout

MRM PROCOM Pvt Ltd,
An ISO-9001-2008 Certified ()
Website: www.mrmprocom.c